

Assembling the LAN-Cell 3 Modem-SAFE Base

The LAN-Cell 3's Multi-Function Mounting Base (Figure 1) provides:

- A. Wall and deck mounting options
- B. Multiple external antenna mounting and cable tie-down points
- C. Power switch & button protectors
- D. Modem-SAFE™ USB modem mounting system

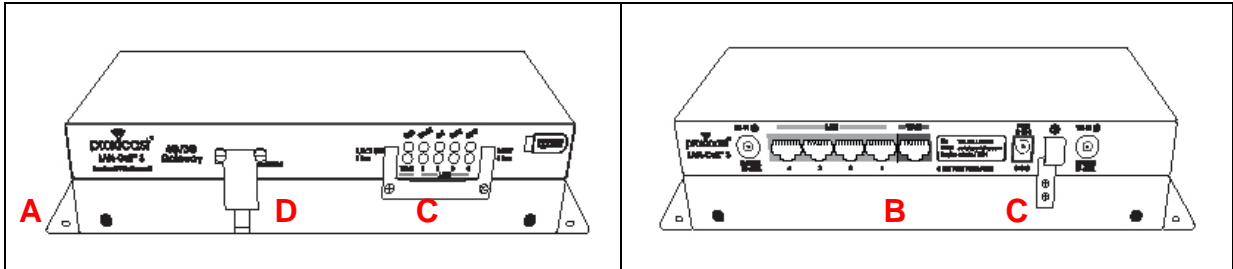


Figure 1

Modem-SAFE™

The LAN-Cell 3's patent-pending Modem-SAFE system is a mechanism for securing a USB modem to prevent it from being removed or coming loose in mobile applications. The slotted mounting plate and Velcro strip design allows for infinite flexibility in mounting a wide variety of USB modems.

Note: At this time, the Novatel USB551L, MC679 and MC545 modems are known to be incompatible with the Modem-SAFE base due to the design of their USB connector and its limited operating angle.

- Insert a Velcro strip through the slotted mounting plate with the wide “cat-ear” end pointing up and with the loop (soft) side facing you (Figure 2).

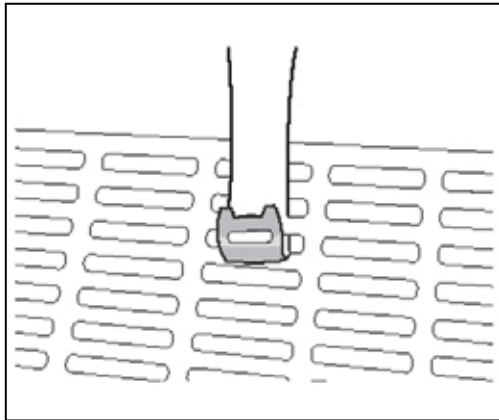


Figure 2

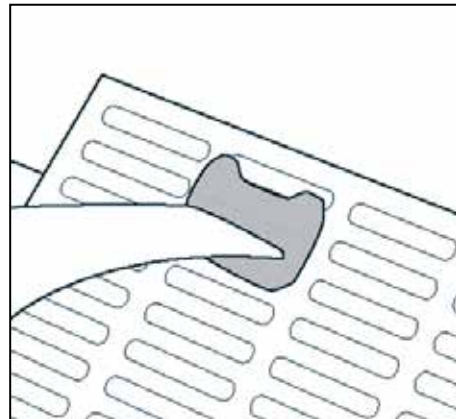


Figure 3

- Loop the tapered end of the Velcro strip up through an adjacent slot and secure through the hole in the top of the Velcro strip (Figure 3). It is critical that you pull the strip tightly against the mounting plate. Hold the wide-end of the Velcro strip against the mounting plate for leverage when cinching this loop.
- Attach the right-angled male-to-female USB adapter to the USB modem. Also attach the external antenna pigtail to the USB modem. External modem antennas are highly recommended when using the Modem-SAFE base.

- Place the USB modem onto the plate and loop the strip over the modem and back under the plate. The hook (rough) side of the Velcro should be against the body of the USB modem. Pull tightly to secure (Figure 4).

Note: Different modem models require different placement on the slotted mounting plate. Modems with external antenna connectors on the top or bottom should be oriented so that the antenna connector is pointing away from the slotted plate.

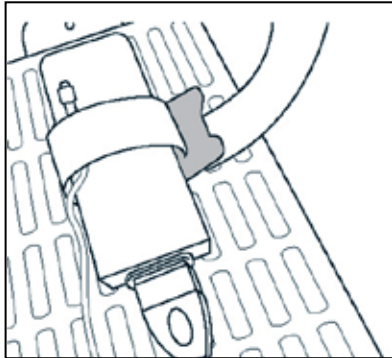


Figure 4

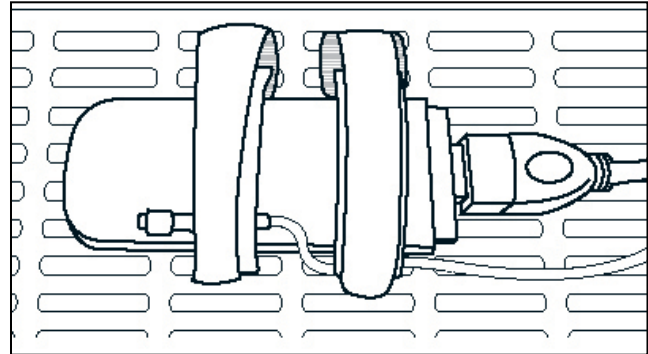


Figure 5

- Repeat as necessary (Figure 5). For most USB modems, two Velcro strips are sufficient. Pull the ends of the Velcro straps tightly up through the slots and secure onto the top of the first loop of Velcro.
- Align the top of the Multi-Function base so that the vertical slot is facing the LAN-Cell 3's LEDs and the three cable tie posts are facing the Ethernet ports. Attach the top of base to the bottom of the LAN-Cell 3 using the 4 corner screw holes and the provided #6-32 screws.
- Place the slotted mounting plate assembly into the base and secure to the LAN-Cell 3 (Figure 6).

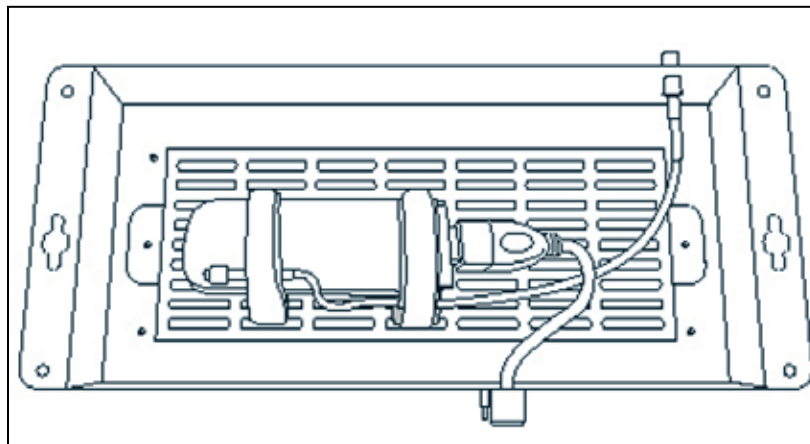


Figure 6

- Attach the USB cable to the front USB jack and the external modem antenna to one of the four "D" holes in the base (Figure 6).
- Place the bottom cover over the base assembly and secure with screws on each side of the base.
- Optionally install the button covers over the front Reset and rear Power switches to prevent accidental activation of these buttons.