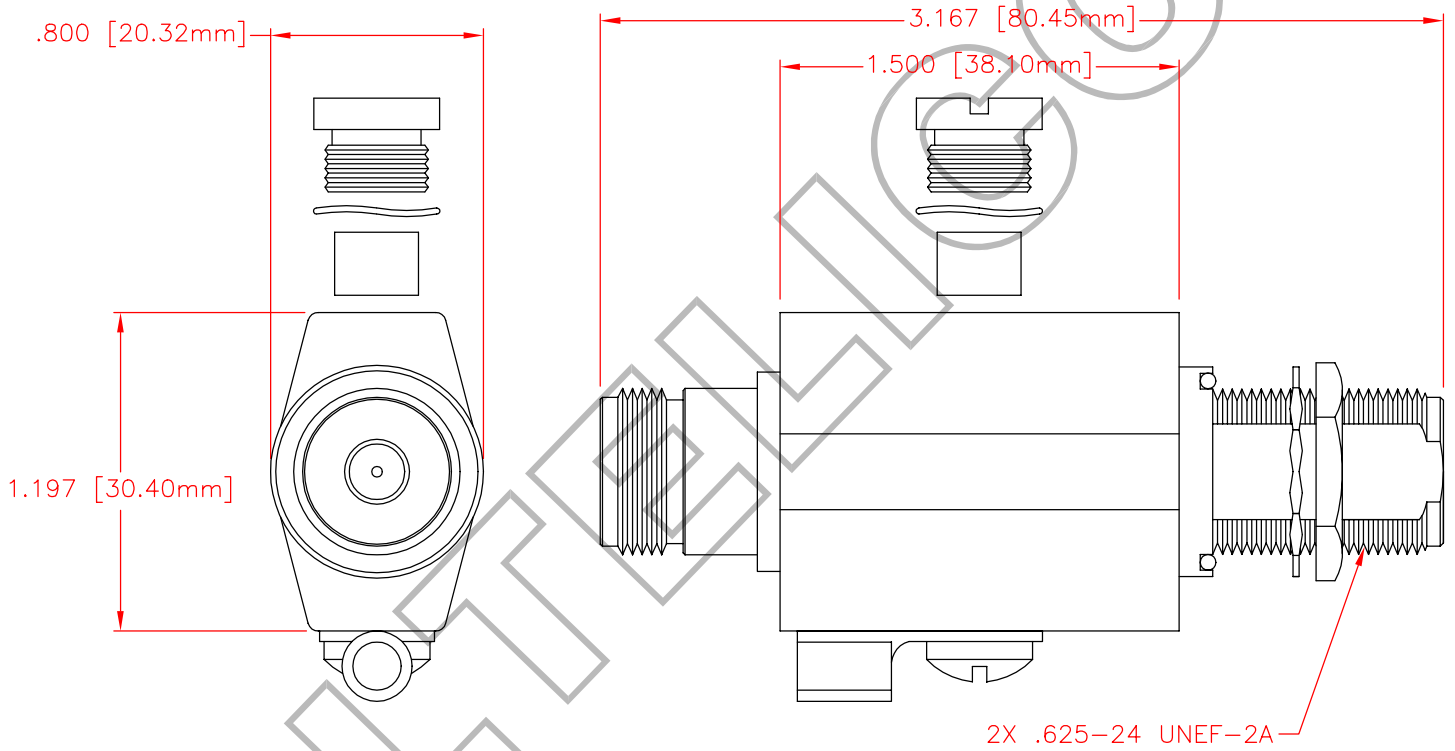


MATERIALS	
BODY	ALUMINUM
CONTACT	GOLD PLATED BRASS
INSULATOR	PTFE



- NOTES:
1. UNLESS OTHERWISE SPECIFIED ALL DIMENSIONS ARE NOMINAL.
 2. ALL SPECIFICATIONS ARE SUBJECT TO CHANGE WITHOUT NOTICE AT ANY TIME.

REV	ECN No.	DATE	DESCRIPTION	SIZE	TITLE:	DRAWING No.	REV
-	-	-	-	A	LP: N-Female to N-Female Bulkhead	ALP-NFNFB	A
ALTELICON YOUR CONNECTOR CONNECTION <small>ALTELICON Website: www.altelicon.com E-Mail: sales@altelicon.com Copyright © ALTELICON. All rights reserved.</small>				DRAWN BY A. VAJANYI 9/9/03	APPROVAL P. Pesa 9/9/03	PART No. ALP-NFNFB	FILE No. ALP-NFNFB
				SCALE 2:1	SHEET 1/1	MATERIAL Noted	